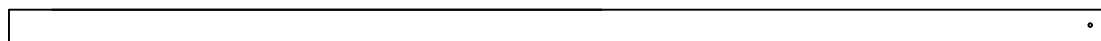


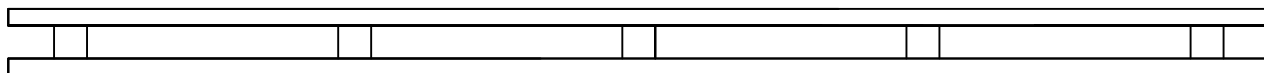
Handleiding
Opbouw Pergola
Mook
Sunfighter Wavesail
444 x 344 cm



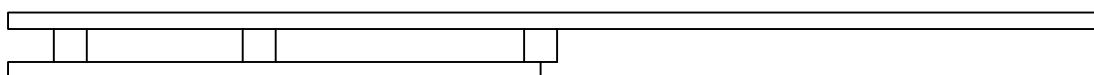
MOOK
SUNFIGHTER
PERGOLA



A = 6 x (9 x 9 x 300 cm)



B = 2 x (344 cm)



C = 4 x (299 cm)



M8 x 200 8 st.

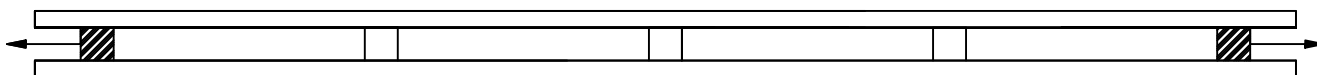


A M8 8 st.

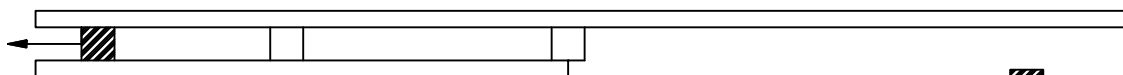


6 x 80 48 st.

1



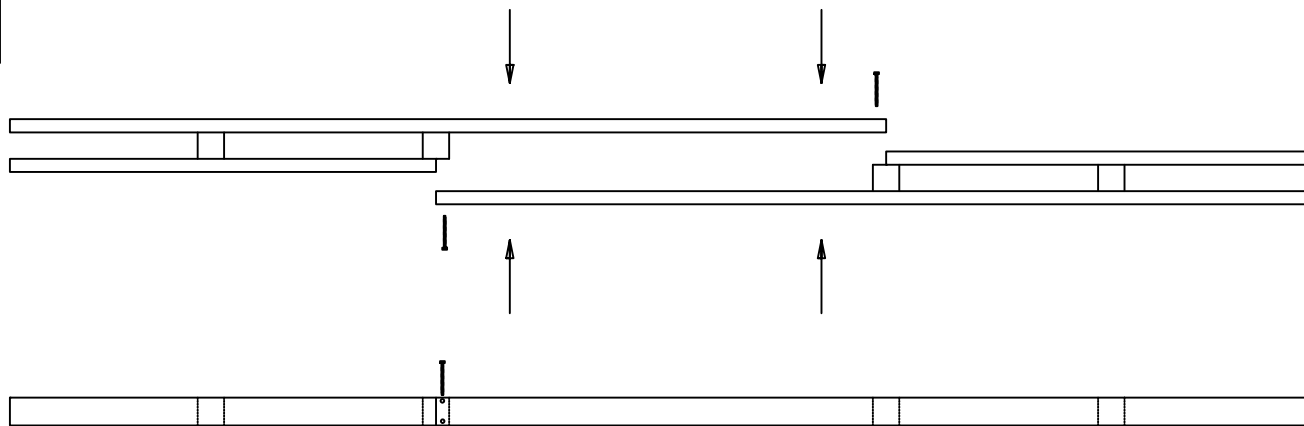
B (x 2)



C (x 4)



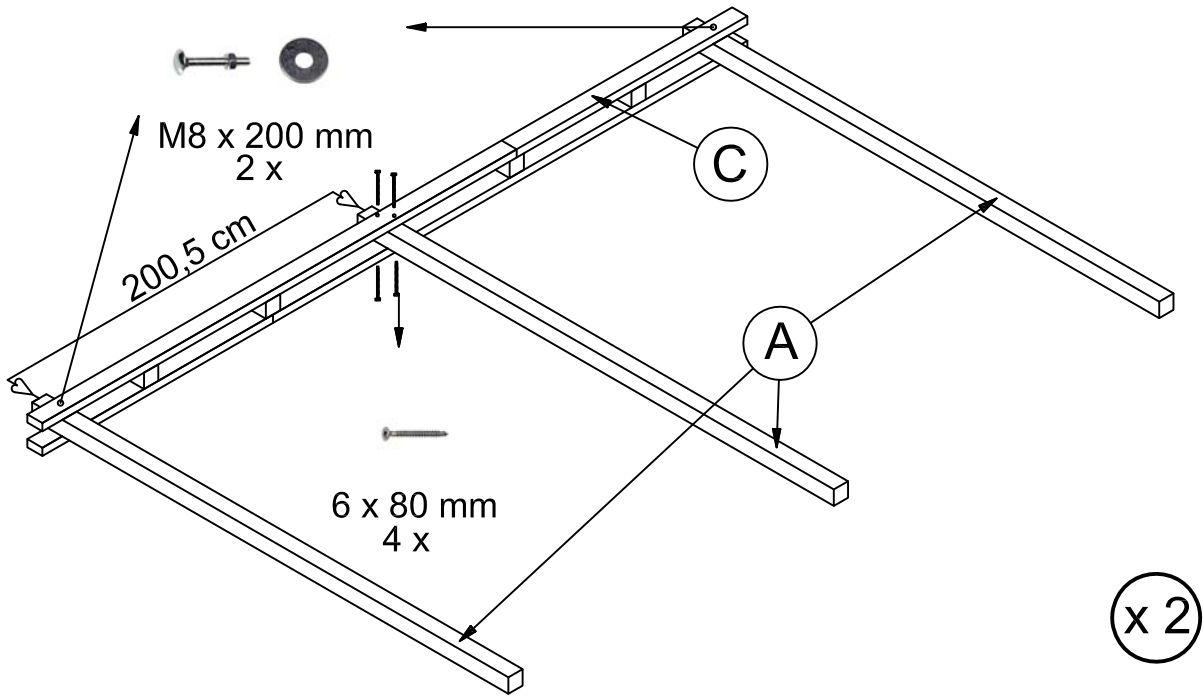
2



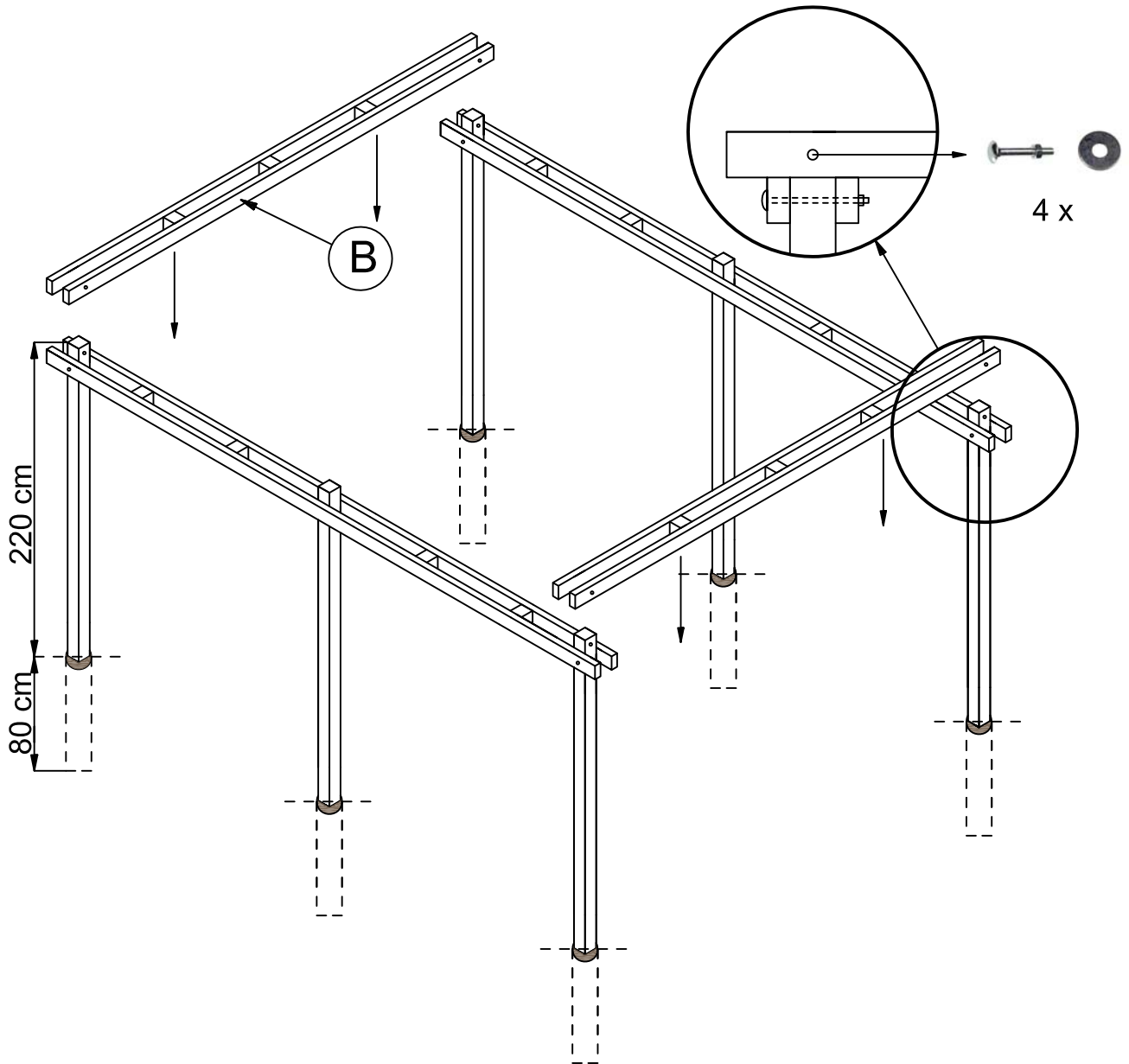
6 x 80 mm
4 x

(x 2)

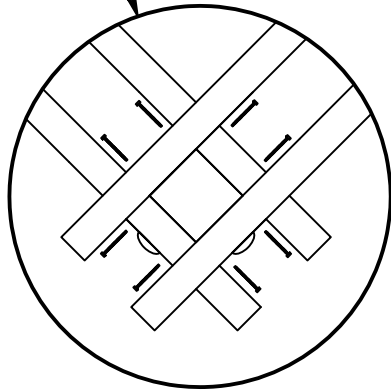
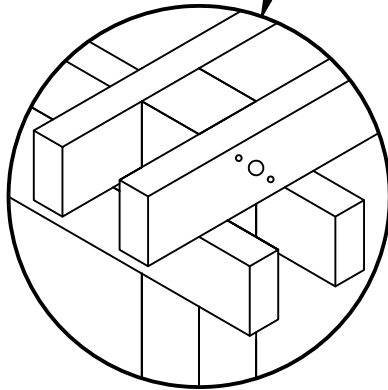
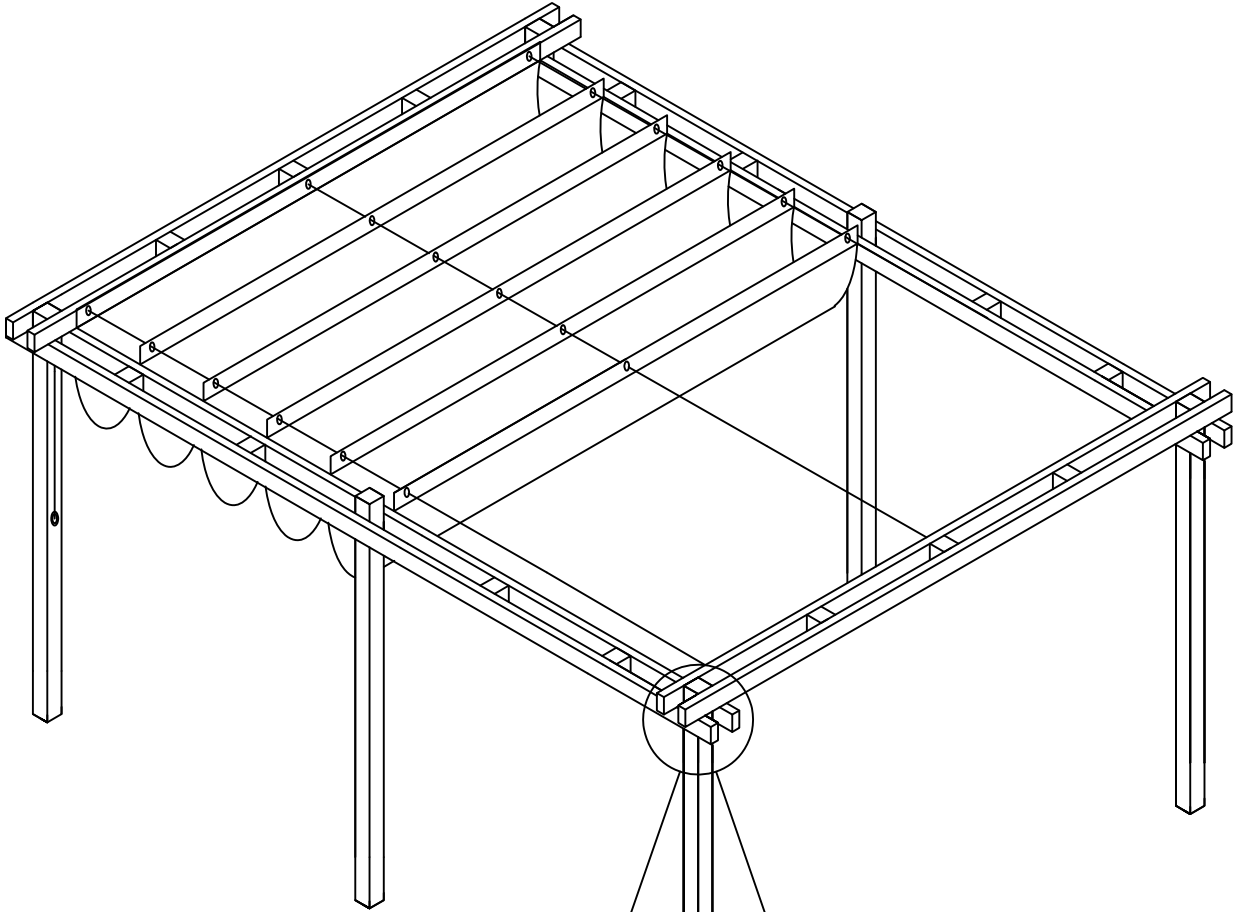
3



4



5



| = 6 x 80
32 x