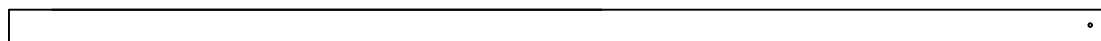


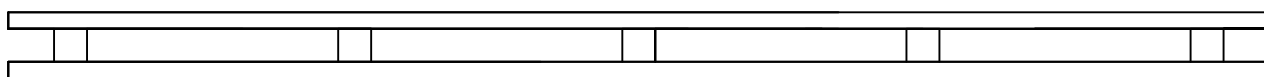
Handleiding
Opbouw Pergola
Mook
Sunfighter Wavesail
344 x 344 cm



MOOK
SUNFIGHTER
PERGOLA



$A = 4 \times (9 \times 9 \times 300 \text{ cm})$



$B = 4 \times (344 \text{ cm})$



M8 x 200 8 st.

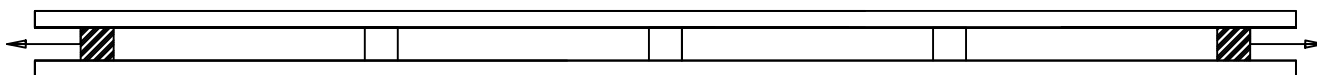


A M8 8 st.



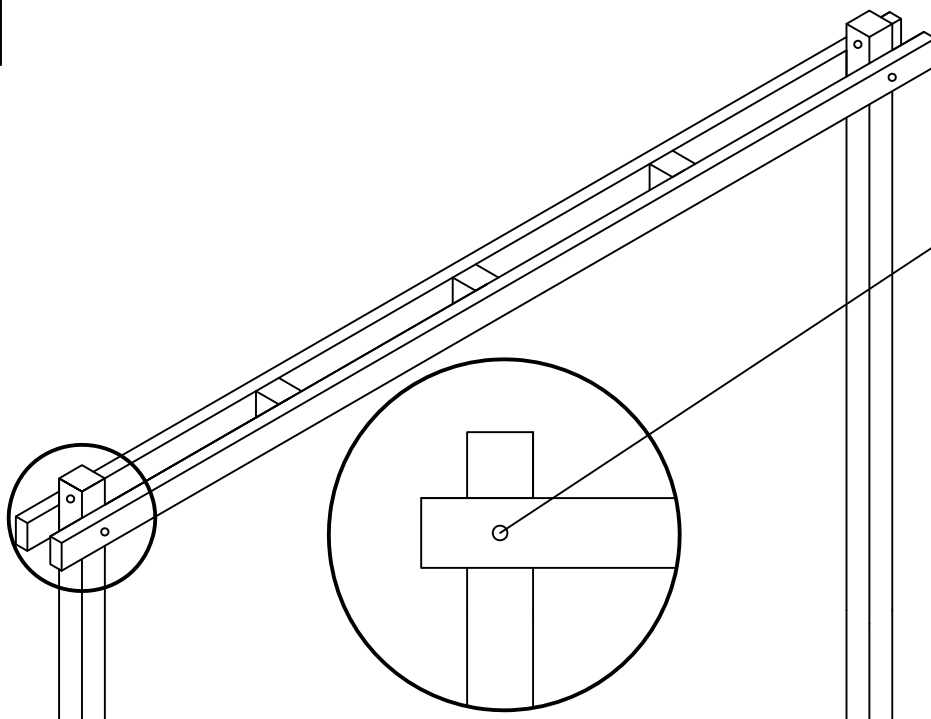
6 x 80 32 st.

1



x 4

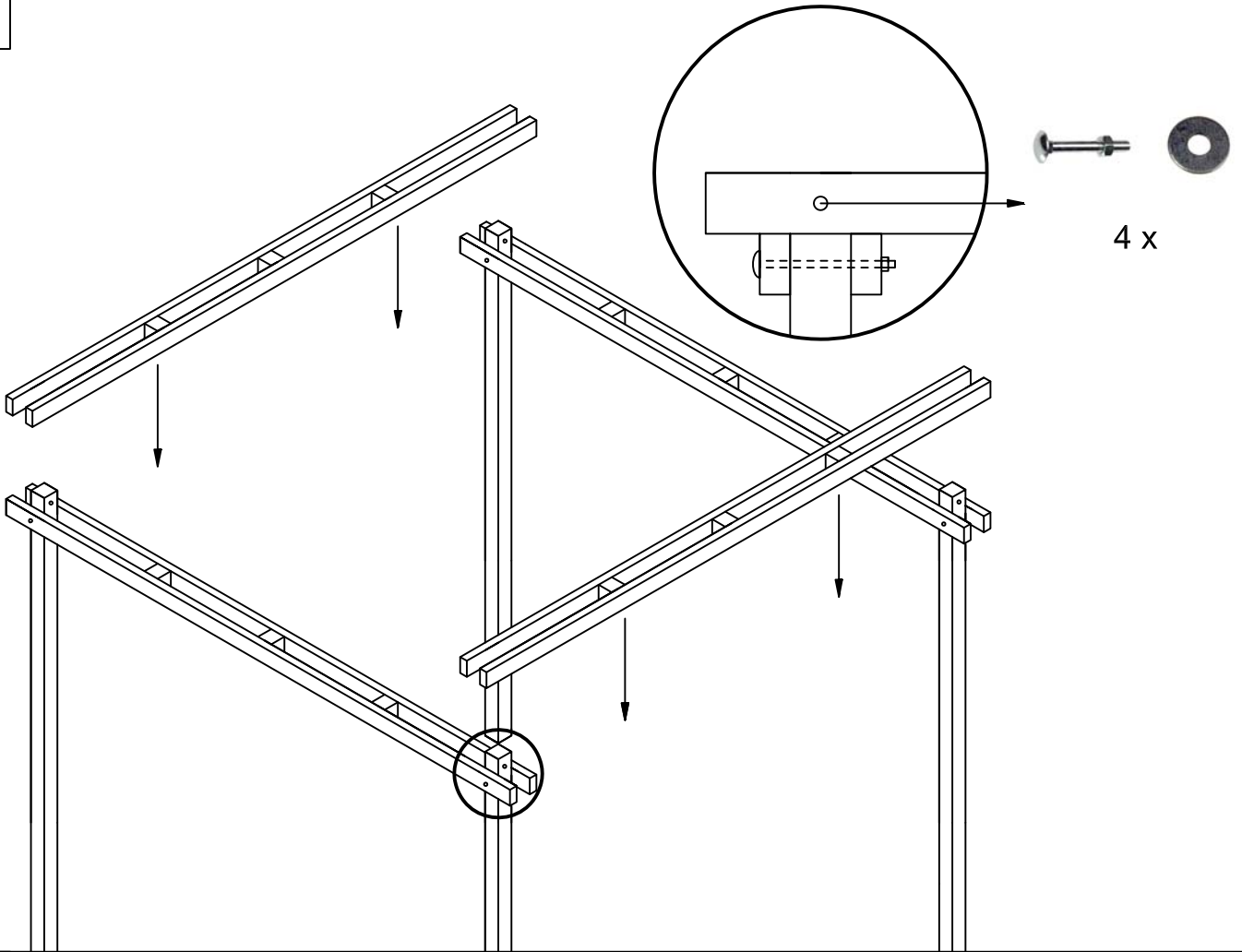
2



2 x

x 2

3



4

